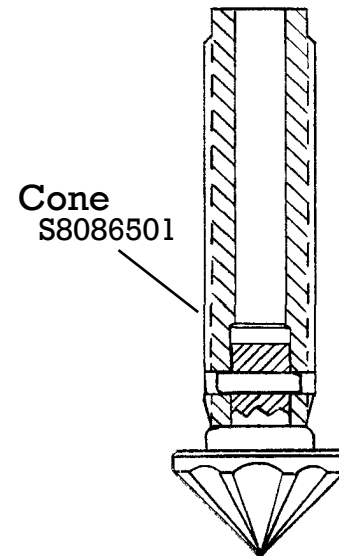
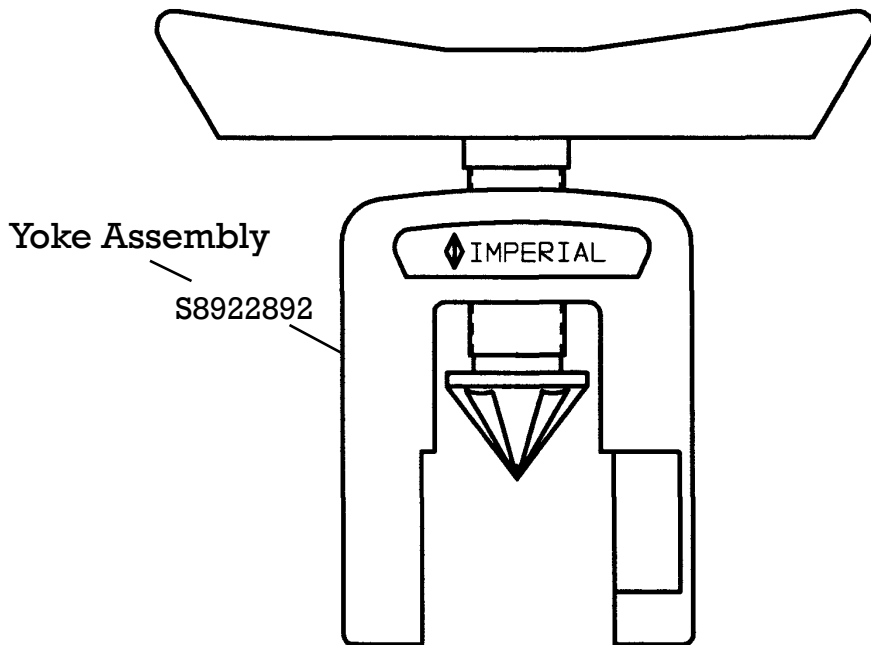
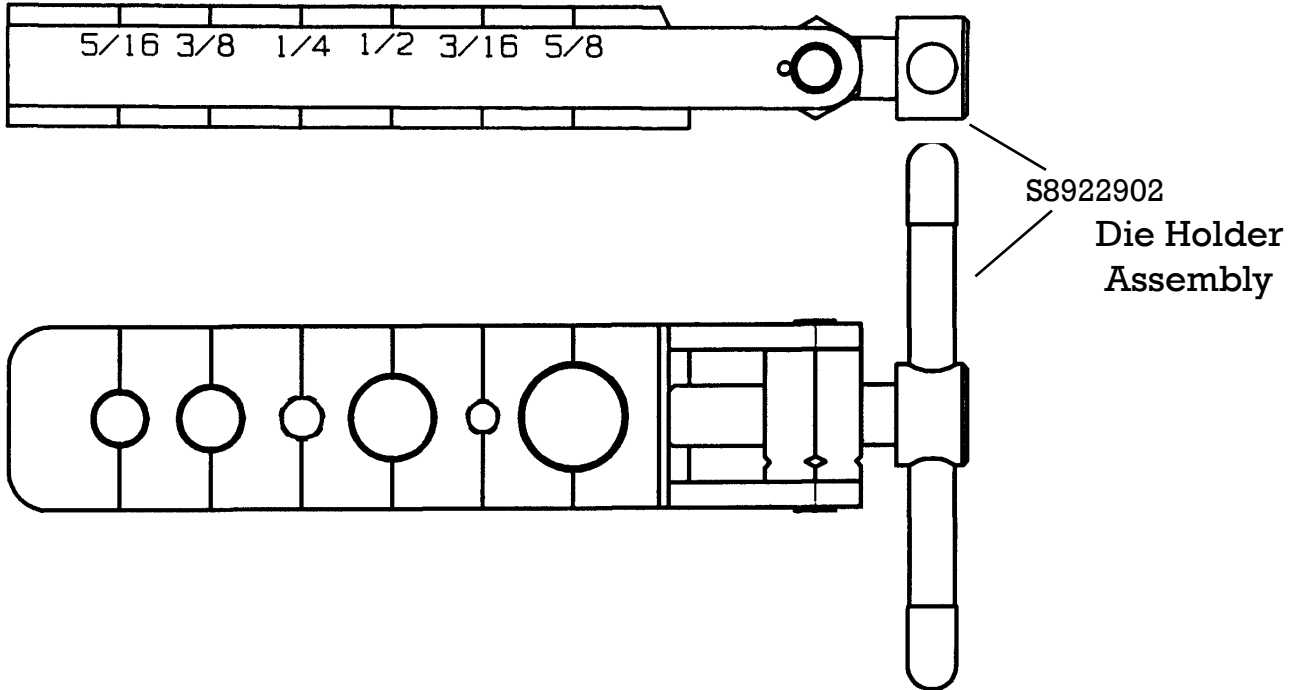


500-FC Flaring Tool

Replacement Parts List



Parts List for 500-FC Flaring Tool

- S8086501 - Cone
- S8922902 - Die Holder Assembly
- S8922892 - Yoke Assembly

